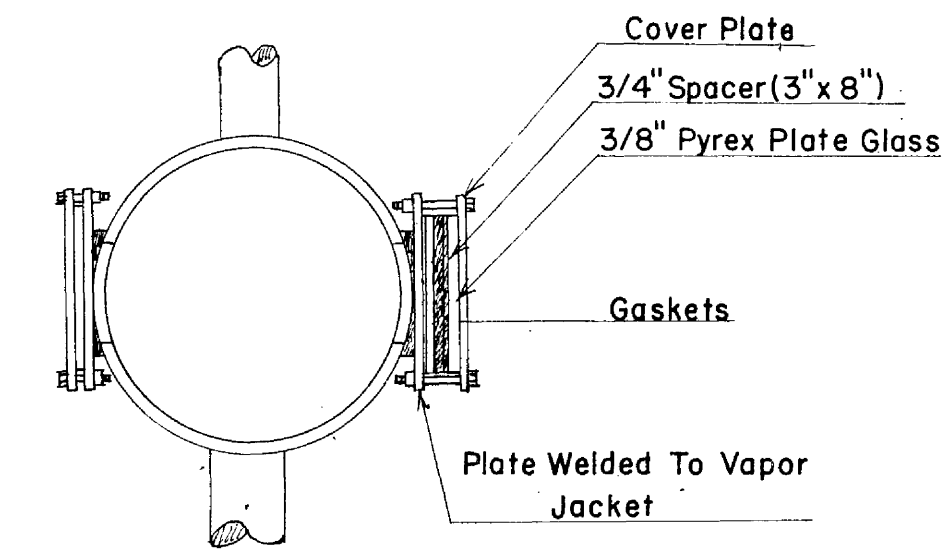
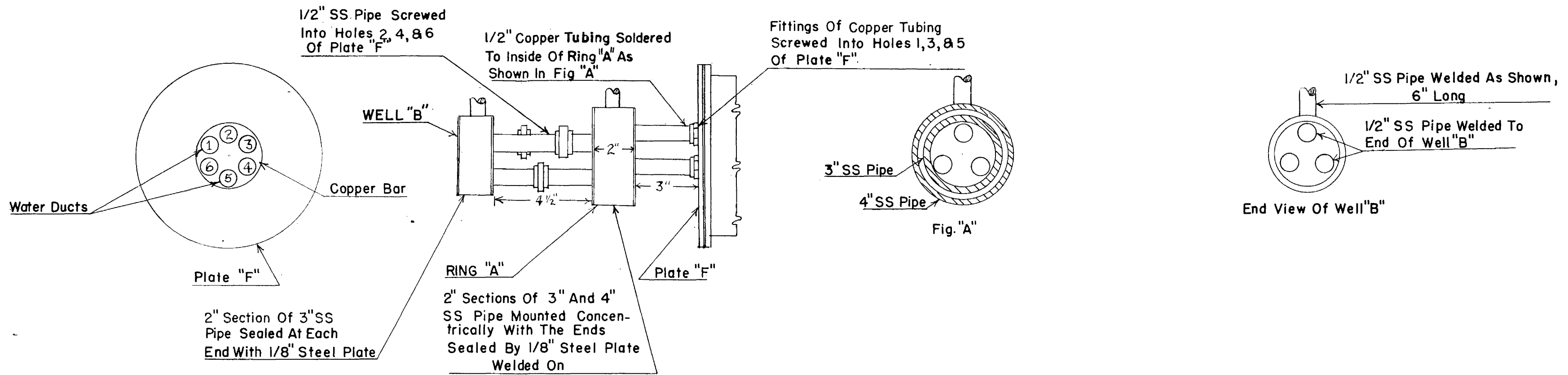
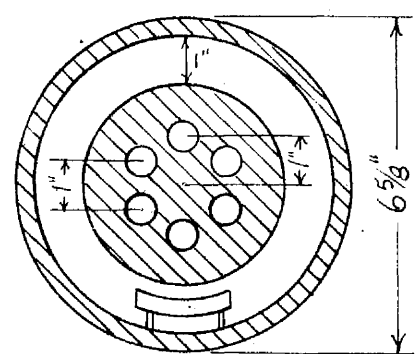


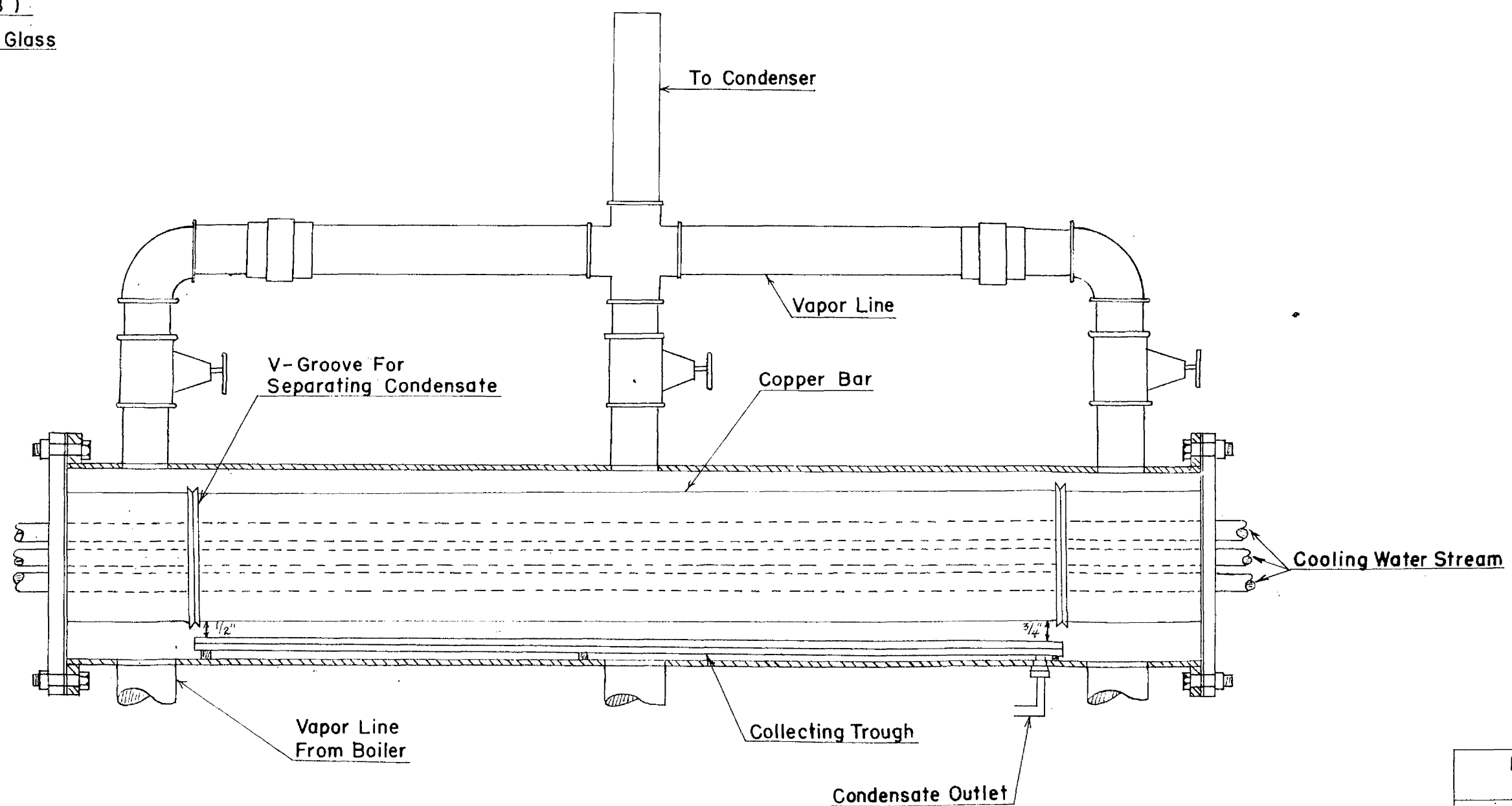
FIGURE 9  
COOLING WATER SYSTEM



End View Of Vapor Jacket Showing Location Of Sight Glasses



End View Showing Position Of Trough And Bar



DEPARTMENT OF CHEMICAL ENGINEERING
LOUISIANA STATE UNIVERSITY
APPARATUS FOR MEASURING FILM COEFFICIENTS
Drawn By: J B TODD 20 JAN 1950 Scale: 1/4" To 1" Drawing No 5A