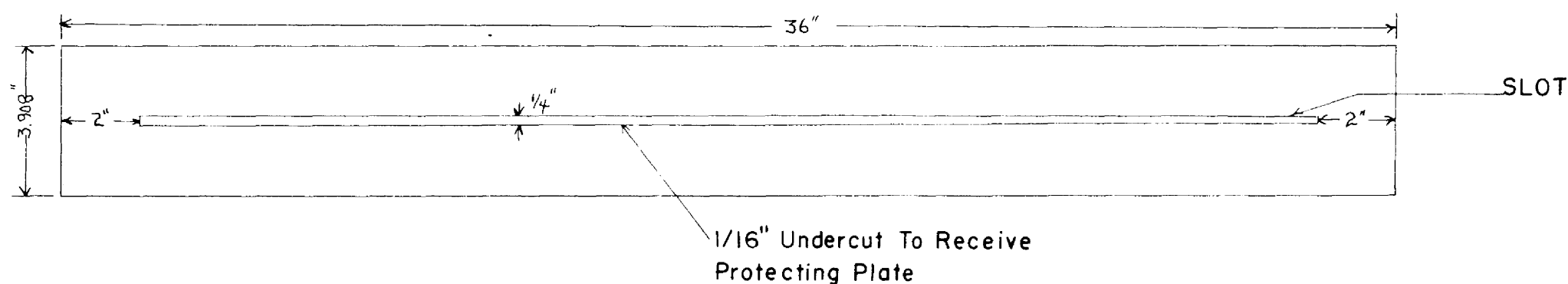
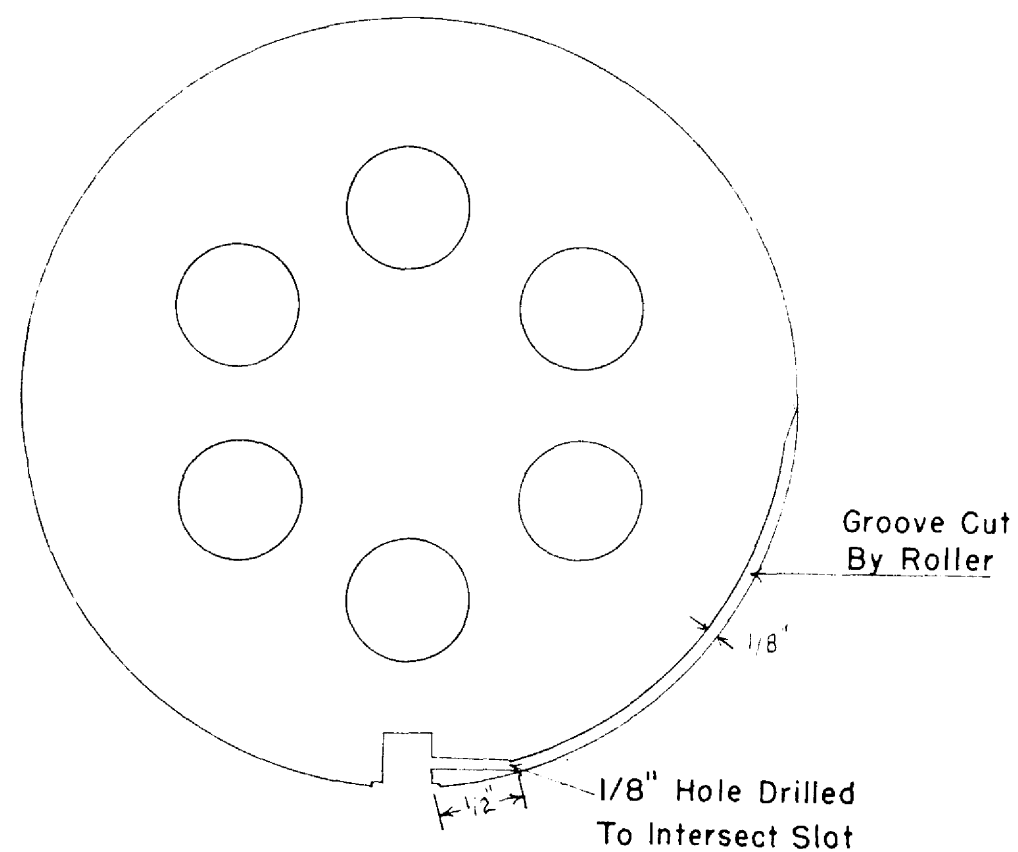


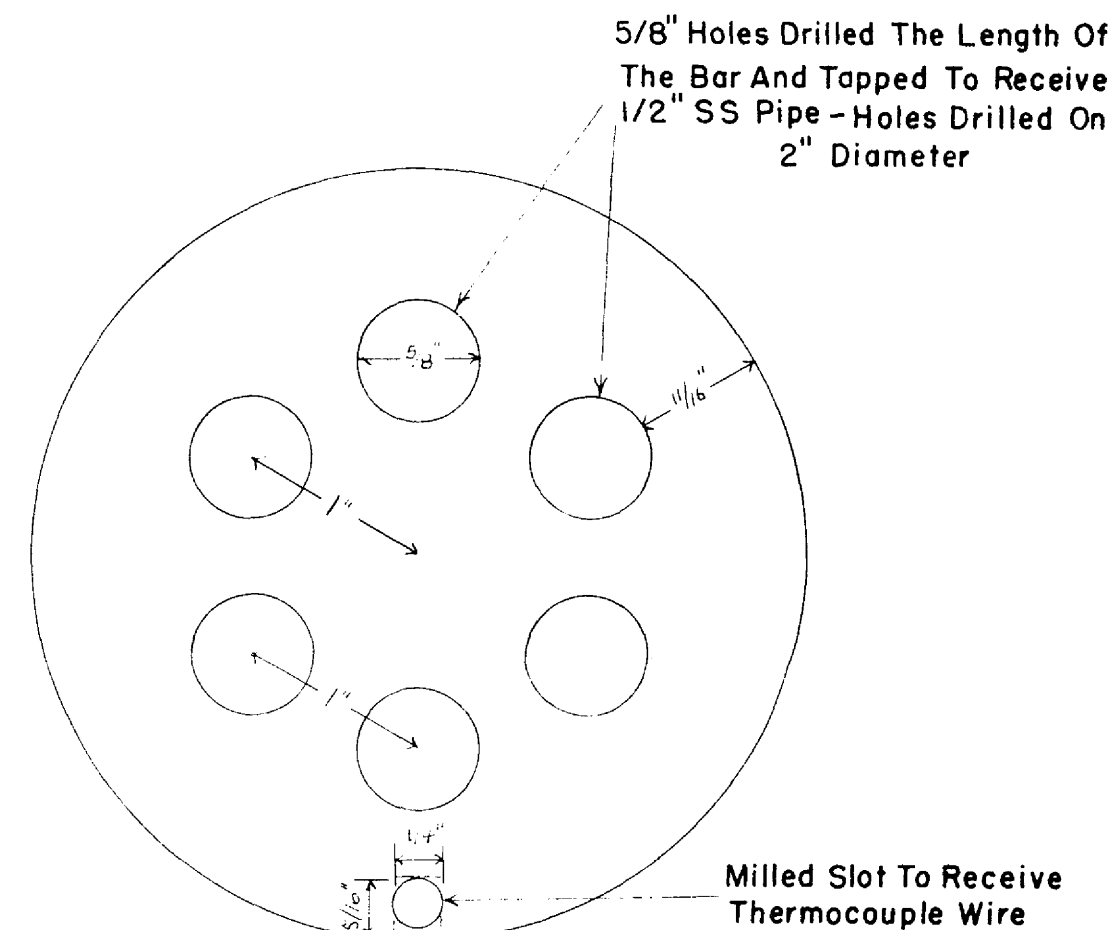
(I) Denotes Location Of Junction



SECTION A-A



CROSS SECTION AT THERMOCOUPLE LOCATION (Full Scale)



LOCATION OF WATER DUCTS (Full Scale)

FIGURE 7 THERMOCOUPLE INSTALLATION

DEPARTMENT OF CHEMICAL ENGINEERING
LOUISIANA STATE UNIVERSITY
APPARATUS FOR MEASURING FILM COEFFICIENTS
Drawn By: J B TODD 20 JAN 1950
Scale: 1/4" To 1" Drawing No. 5